

2018 Product Offering



RCI Engineering

Hay and Forage Equipment

9 November 2017



New Products for 2018

- R1 Merger Attachment

- John Deere W200-Series Windrowers



- Recutter Screen Bundle

- John Deere 8000-Series SPFH



R1 Merger Attachment

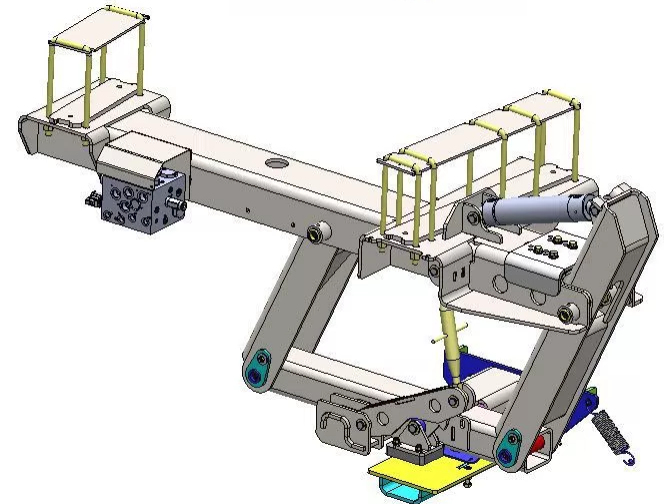
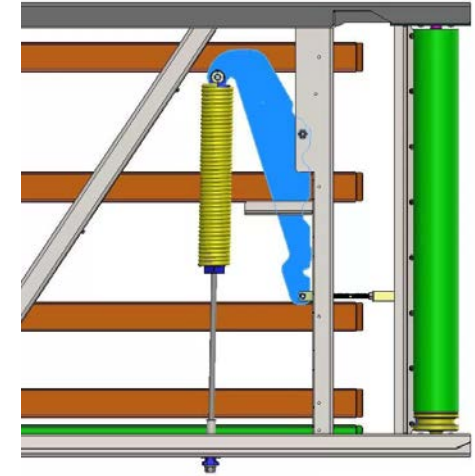
- **Merge** up to three windrows into one
- **Eliminate** the need for **raking or merging** passes through the field
- All **controls** are **integrated** into the controls of the windrower
- Disable the unit for **center-dumping**



R1 Merger Attachment

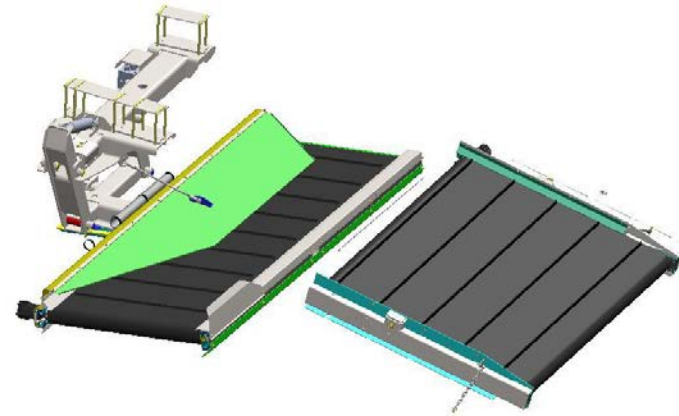
Many improvements have been made in the design over previous generations

- **Adjustable** forming shields
- **Automatic** belt tensioning
- **No** belt tensioning **maintenance**
- **Improved scrapers** for better cleaning
- **Simpler** structure
- **Easier** installation



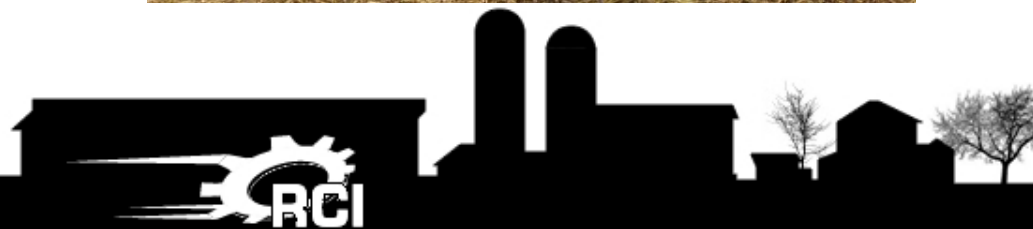
R1 Merger Attachment

- Other Features
 - Raises for transport and belly-dumping of the first windrow
 - Front conveyor uses a **single belt** for delivering crop to the cross belt in extremely heavy and light conditions



Recutter Screen Bundle

- For 8000-Series SPFH
- Used for **Resizing** of earlage/snaplage and other forages
- Screen sizes from 13mm to 35mm
- Blank screens available for **Quick-Change** during season



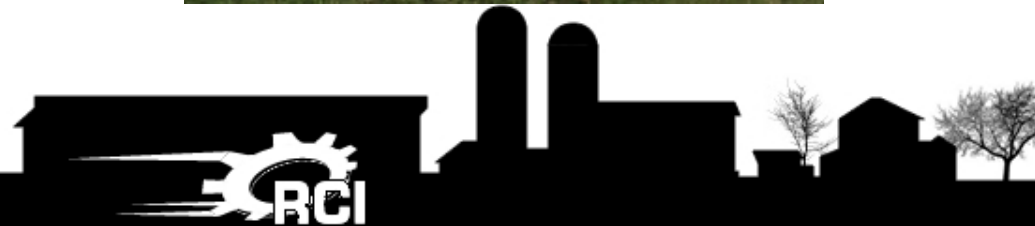
Other RCI Products

- 812A Combine Header Adapter
- 8A Bumper/Weight Rack
- 186M Windrow Merger
- Pull-Type Forage Harvester Tandems
- HarvestLab Accessories



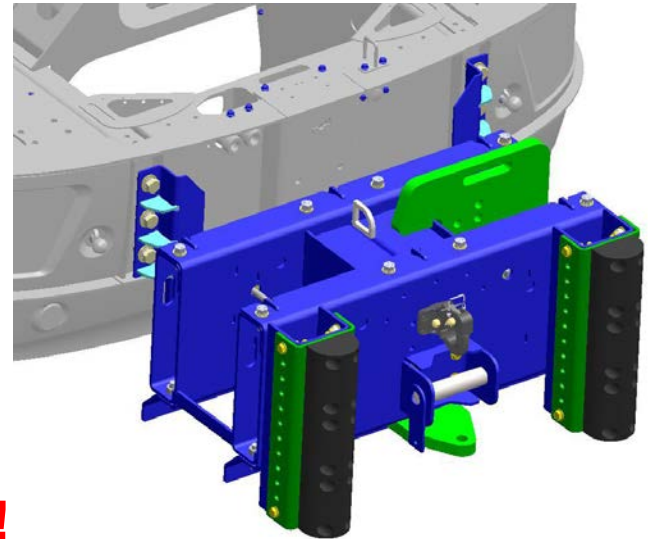
812A Combine Header Adapter

- For 8000-Series SPFH and almost all John Deere Corn Heads
- Works with **Chopping Heads**
- **Dual Gearbox Drive for Reliability**
- Fits both **wide** and **standard** machines and works with all **Quick-Attach** systems
- Comes with **Shipping Stand**
- **Will not void machine warranty!**



8A Bumper / Weight Rack Attachment

- **Heavy-Duty** modular bumper
- Replaces factory weights
- **Quick-remove** for weights between corn heads and hay pickups
- **Most-Durable** unit on the market!
- **Adjustable** for desired ground clearance
- Standard Strap **Pin** and **Pintle Hitch**
- **Now fits 7000-Series AND 8000-Series!!**



186M Windrow Merger

- **Single Windrow Merger**
- **Economical** solution
- Combine up to three windrows from up to 18' cut
- 3-ft and 5-ft **Extensions**
- Standard **Windguard**
- **Reversible** belt



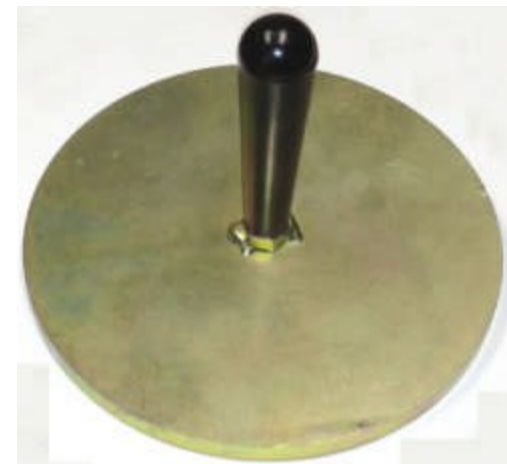
Pull-Type Forage Harvester Tandems

- High **Floata**tion
- **Smoother** Performance
- **Faster** Operation
- Less ground **Compaction**



HarvestLab Accessories

- **Travel Case**
- **Tamper** for table-top unit
- Compatible with **HarvestLab 1** and **HarvestLab 3000**
- **Custom Calibrations** for specialty operations
- **NIR Recalibrations**
- **NIR Support** for specialty markets (research plots, special commodities, ethanol plants)



About RCI

- John Deere Allied Supplier
- RCI Engineering is a premier provider of:
 - [Engineering Services](#) for Agricultural and Off-Road Equipment, including development and manufacturing of custom equipment
 - [Hay and Forage](#) Implements and Attachments
 - [Research Plot Equipment](#) for Forage and Biomass
 - [NIR Units and Services](#) for Agricultural Markets



Contact Information

<<<click links to go to web page

- RCIengineering.com
- 888-472-4552
- info@RCIengineering.com

